

SOLID STATE RELAY(SSR)

10 WYLG/H AC220/440V 10A~40A (DC/AC Type)



Metal Bonding Process

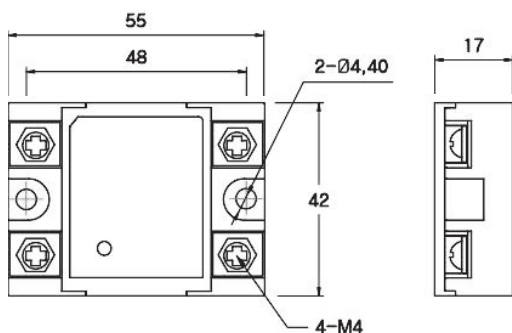


● 경제형(Economy Type)

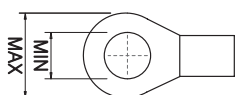
본 제품 시리즈는 AC90~480V, 10~40A의 용량을 가지고 있으며 입력측에 LED 표시 장치가 있습니다.

This products series rating of AC90~480V 10~40A, and are SSR feature an LED lamp according to input control circuit.

● Dimension



● Terminal

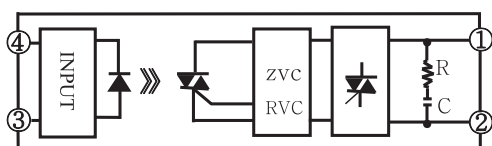


Input Ter : Max 9.5, Min 4
Output Ter : Max 9.5, Min 4

● Specifications

ITEM	MODEL	WYLG1C10 / 15 / 25 / 40Z4	WYLG1C10 / 15 / 25 / 40Z4
	O U T P U T	Rated voltage	220VAC
Voltage range		90 ~ 240VAC	90 ~ 480VAC
Non repetitive peak voltage		600V	800 / 1200V
Rated load current		10A 15A 25A 40A	10A 15A 25A 40A
Frequency		50 / 60Hz	
Peak surge current		125A 260A 300A 315A 170A 250A 350A 370A	
leakage current		10mA	
Contact voltage drop		1.0V	1.6V
I N P U T	Minimum operating current	1.0A	
	Maximum input voltage	32VDC	
	Input voltage range	4 ~ 32VDC	
	Input current	10±3(mA)	
	Minimum operating voltage	3.7VDC	3.2VDC
G E N E R A L	Turn off voltage	2.1VDC	1.6VDC
	Dielectric withstand	2000VAC / rms / 1Min	
	Insulation resistance	DC 500V / 100MΩ	
	Response time	Z4 : 8.3±1ms	
	Circuit control	Z4 : Zero cross type	
	Operating temperature	-10 ~ +60°C	
	Storage temperature	-20 ~ +80°C	
	Weight	0.1kg	

● Block Diagram



* ZVC : ZERO CROSS VOLTAGE CIRCUIT
* RVC : RANDOM CROSS VOLTAGE CIRCUIT

● Application Circuit

